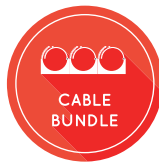


PRODUCT DESCRIPTION

- The barpa Category 6 UTP (Unscreened Twisted Pair) jack belongs to the barpa cabling system. This jack as an unique and simple design thought to be easy for termination but always thinking about excellent electrical performance. Manufactured and tested to the latest Category 6 specifications defined in the International standards. Support all applications up to 250Mhz. Cable bundle is one of the special physical characteristics, it promotes quick installation, fast termination. It's up to you to try it.



STANDARD CONFORMITY

IEC 60603-7-4; IEC 60512-26-100; ISO/IEC 11801 ed.2.2; EN50173-1; ANSI/TIA 568-B.2-1

FEATURES

Compatibility with CAT6 and lower classes

25 Years System Warranty

Suitable for patch panel and faceplate mounting

Quick termination - tool free, less preparation, less labour time

With cable bundle incorporated

1 Gigabit Ethernet

PHYSICAL CHARACTERISTICS

IDC Material	PC UL94V0
Terminal	Phosphor Bronze, Tin Plating
Color	White
Orientation	180°

ENVIRONMENTAL CONDITIONS

Operating Temperature (°C)	-10 to 60
Storage Temperature (°C)	-40 to 70

ELECTRICAL CHARACTERISTICS

Frequency Range (MHz)	1-500
Contact Resistance (mΩ Max)	200
Insulation Resistance (MΩ Min 500V DC)	500
Dielectric Strength (V RMS 60Hz/1min)	1.000
Rated Current (A)	Maximum 1.5
Return Loss (dB)	5.8
Next (dB)	4.7
PSNext (dB)	5.5

This document is authored and owned by barpa. It is forbidden to reproduce in whole or in part without mentioning its authorship, as well as modification of its content or context. All specifications are subject to change without notice. The pictures/drawings are merely illustrative.
 More information: info@barpa.eu or in www.barpa.eu

CAT6 UNSHIELDED WHITE TOOLLESS

• MECHANICAL SPECIFICATION

Wiring	T568A/B
IDC Contacts - Solid Cable	Accept 22-24 AWG solid with a insulation diameter of 0.55-0.45 mm
IDC Contacts - Stranded Cable	Accept 22-26 AWG stranded with a insulation diameter of 0.76-0.48 mm
Insertion Life	750 times plugging
Plug Inforce (N)	< 30
Cable OD (mm)	5.0 - 8.5
IDC Life	250 times terminating
Contact	Phosphor bronze with 4-6 μ " gold plating

• TECHNICAL PERFORMANCE

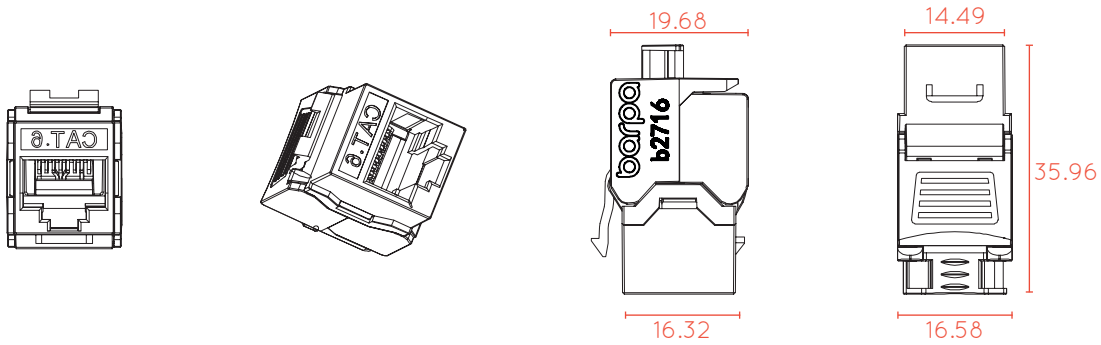
Frequency (MHz)	Next Limit (min. Typical)	PS Next Limit (min. Typical)	ACR Limit (min. Typical)	RL Limit (min. Typical)
1	0.4	82.5	80.1	24.7
4	0.8	74.2	71.1	39.3
8	1.1	77.5	74.6	35.5
10	1.2	66.1	63.8	29.8
16	1.6	61.7	59.5	31.6
20	1.7	67.5	65.4	28.4
25	2.0	64.9	64.1	28.8
31.25	2.2	63.4	61.7	33.3
62.5	3.2	50.5	48.8	29.3
100	4.2	51.4	50.3	24.8
200	5.9	41.1	40.2	20.9
250	6.8	41.2	40.0	15.9
350*	7.9	48.1	42.7	23.7

*Are the reference values.

• ORDER INFORMATION

Code	Description	Unit Weight (kg)	Polybag		Inner Box		Carton		EAN Code
			Size (mm)	Quantity (un)	Size (mm)	Quantity (un)	Size (mm)	Quantity (un)	
82242210180	Cat6 Unshielded White Toolless	0.009	122x78x0.12	1	275x160x70	50	345x290x400	500	5608445005076

TECHNICAL DRAWING (mm)



As part of our goal to achieve quality excellence, our barpa System Warranty can give you 25 years products and solution assurance of compliance with the industry performance standard comparing with the class installed. This warranty applies to network infrastructure installations that was made by an approved barpa partner using an barpa solution (end-to-end). For more informations go to our website.