



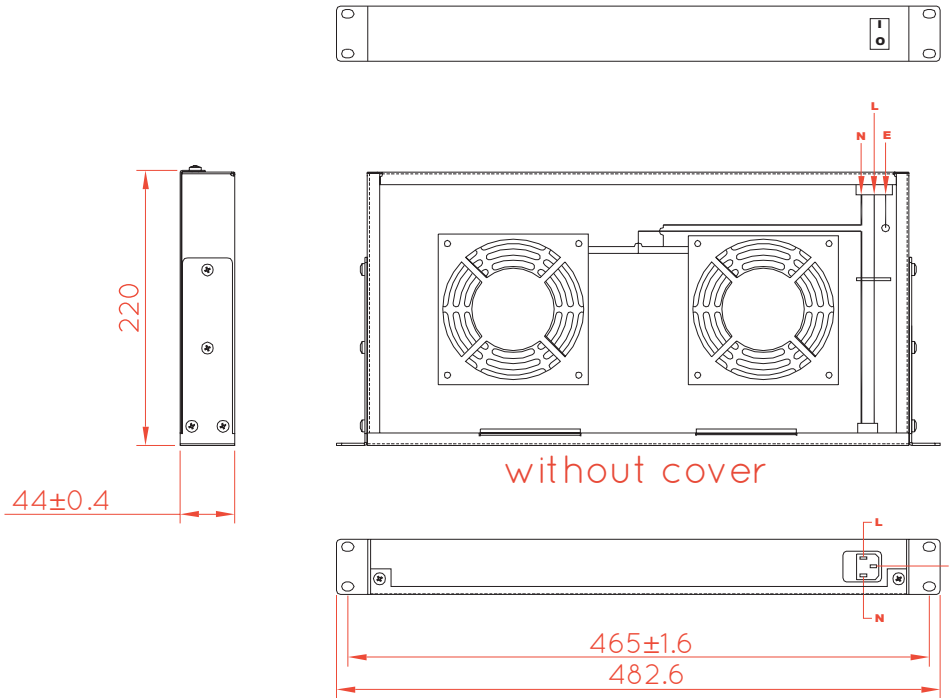
PRODUCT DESCRIPTION

- barpa 1U Fan Unit has 19" standard installation, what makes it perfect for barpa cabinets. Decrease the inner temperature. To use in the middle or bottom of the cabinet.

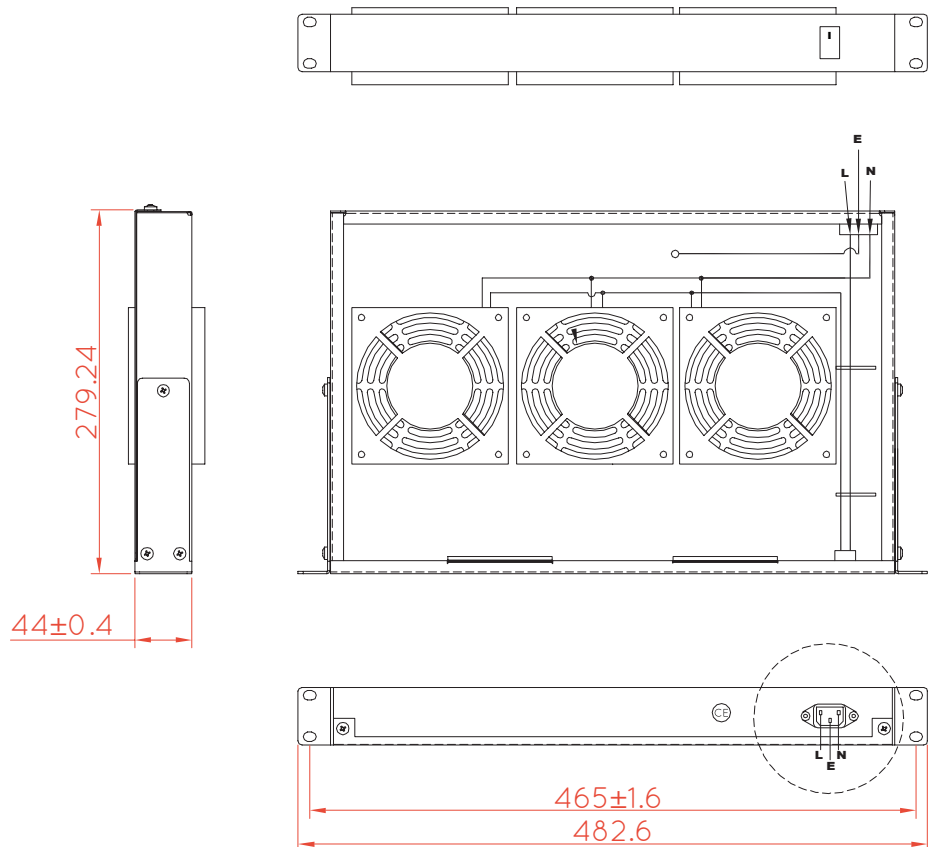
• FEATURES	
Input (V)	100~231
Input (Hz)	50
Fan Dimensions (mm)	120 x 120 x 38
Cable Length (m)	1.9
Work Temperature (°C)	-10 to +50
Material	SPCC Cold Rolled Steel
Color	Black (RAL9004)

• ORDER INFORMATION				Inner Box		Carton	
Code	Fan (un)	Type	Weight Unit (Kg)	Size (mm)	Quantity (un)	Size (mm)	Quantity (un)
82390506210	2	UK	3.5	510x205x65	1	650x530x180	10
82390506110	2	German	3.5				
82390507210	3	UK	4.38				
82390507110	3	German	4.38				
82390508210	4	UK	5.25				
82390508110	4	German	5.25				

TECHNICAL DRAWING (mm)



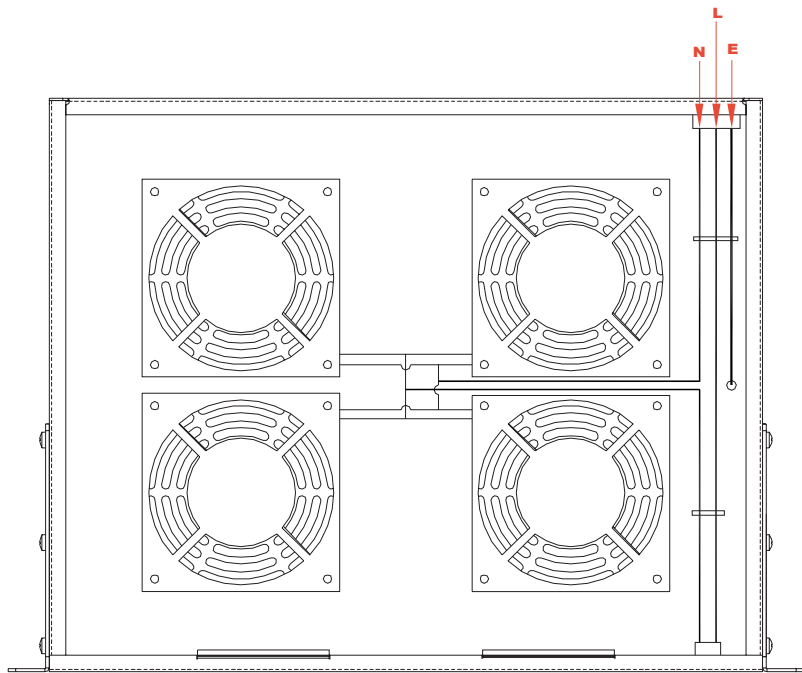
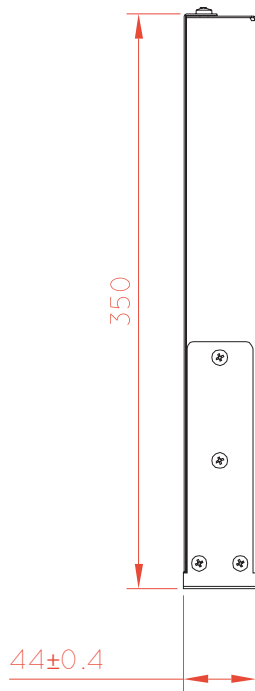
TECHNICAL DRAWING (mm)





1U FAN UNIT

TECHNICAL DRAWING (mm)



without cover

